

MT-400

Four-Channel Main Station



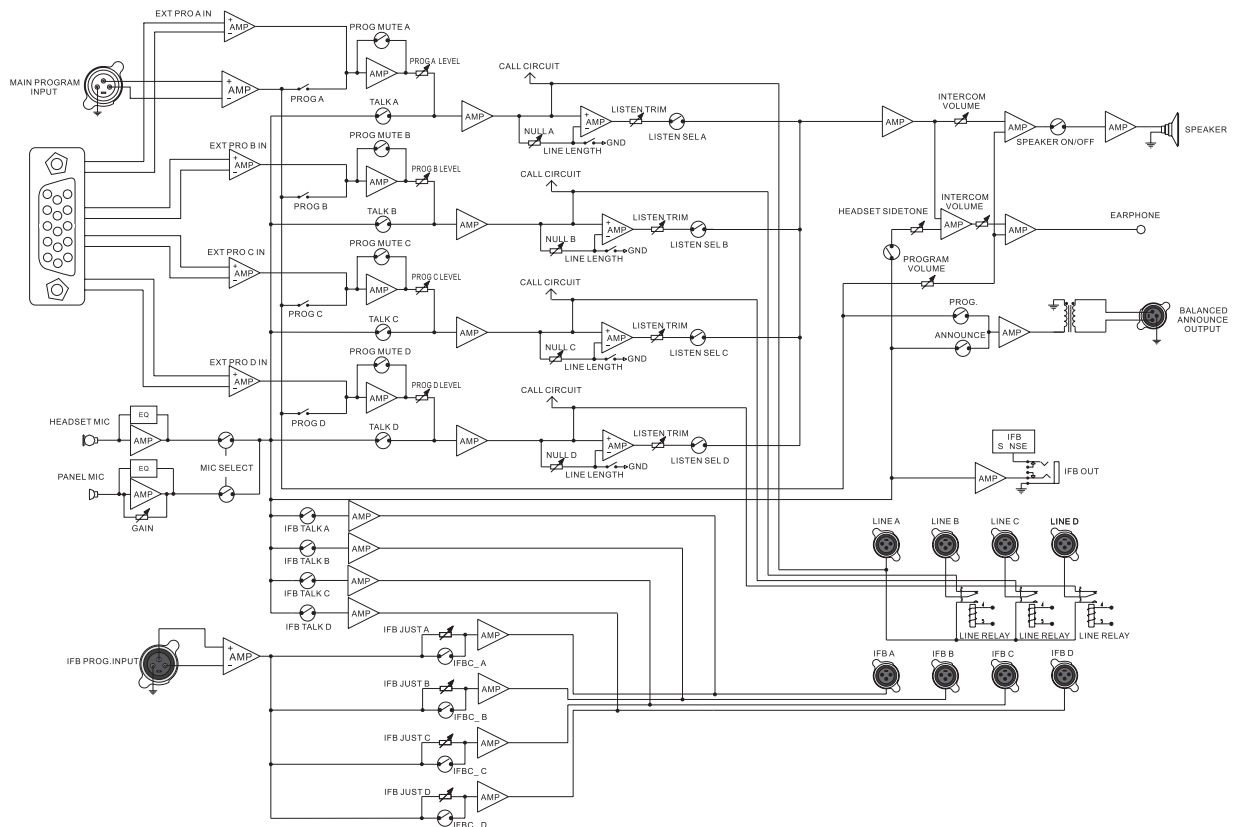
KEY FEATURES AND BENEFITS

- 4 individual communication channels
- 4 individual IFB outputs
- Volume control and null adjustment on each channel
- All-talk function allows communication with all substations
- Announce function
- Multiple program source monitoring
- MIC gain adjustment
- Link function
- Power supply with short-circuit protection for each channel

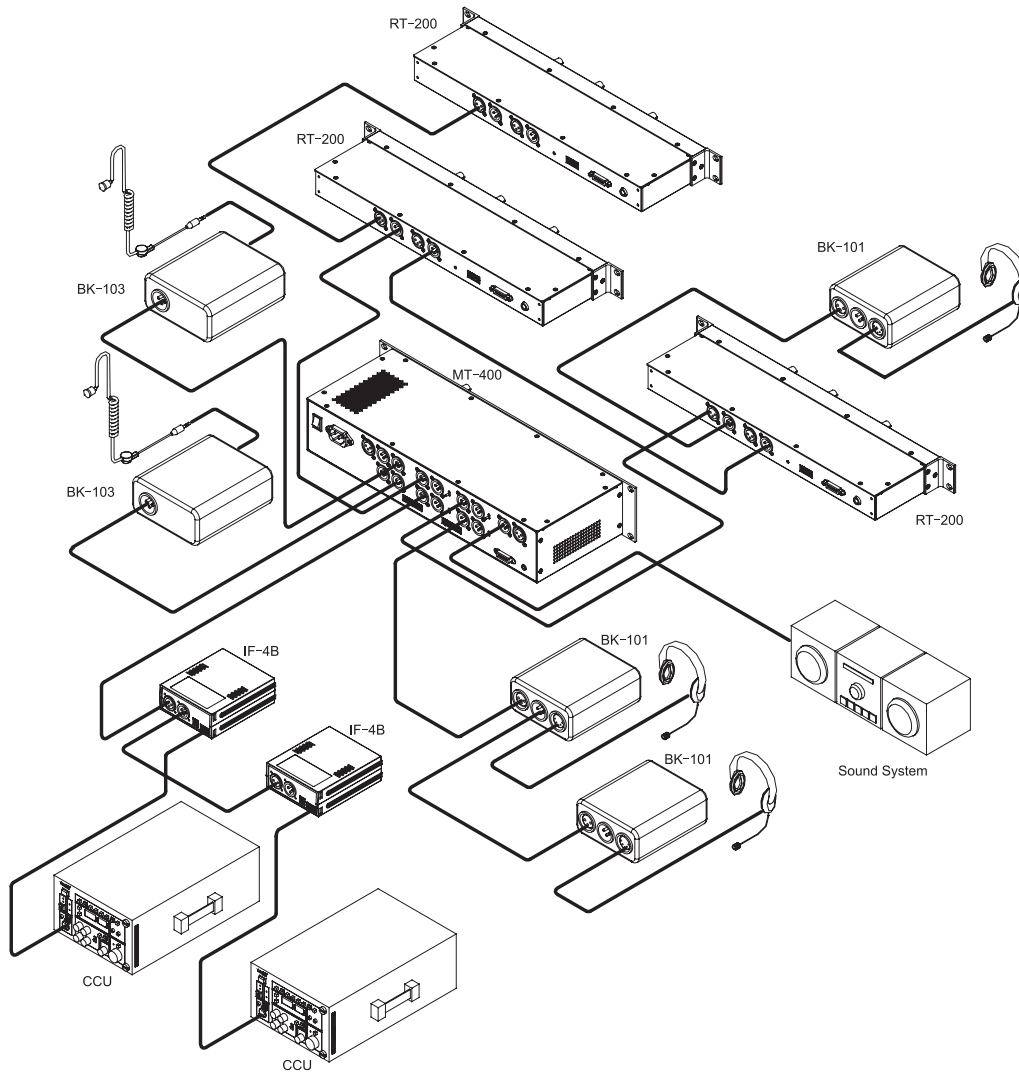
MT-400 is a main station of an intercom system with built-in power supply. It provides 4 individual channels and 4 IFB outputs. Each channel has independent power supply output and short-circuit protection. Up to 20 sub-stations can be supported.

Featuring powerful functions, perfect voice and simple operation, MT-400 is ideal for applications in studio, master control, OBV, entertainment, education, and enterprises.

BLOCK DIAGRAM



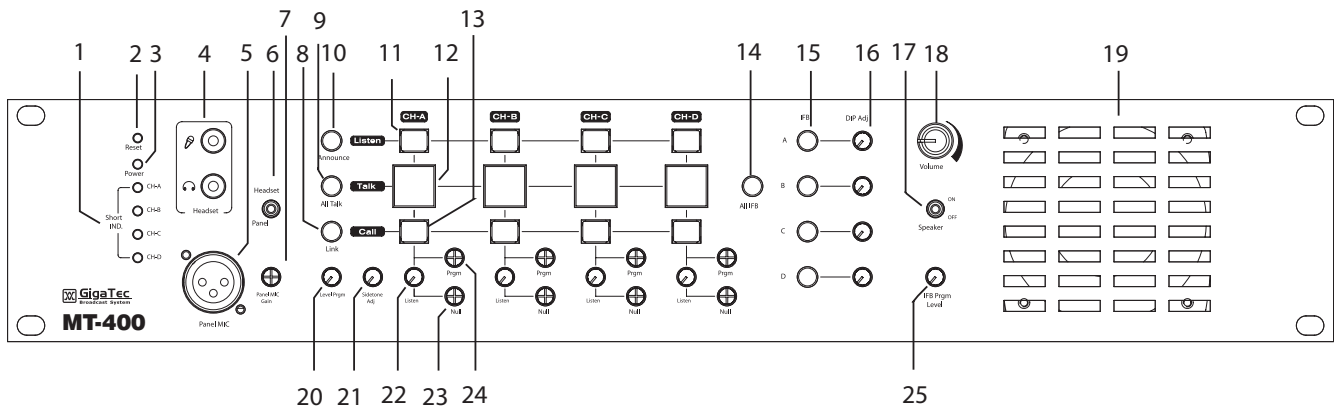
APPLICATION DIAGRAM



MT-400

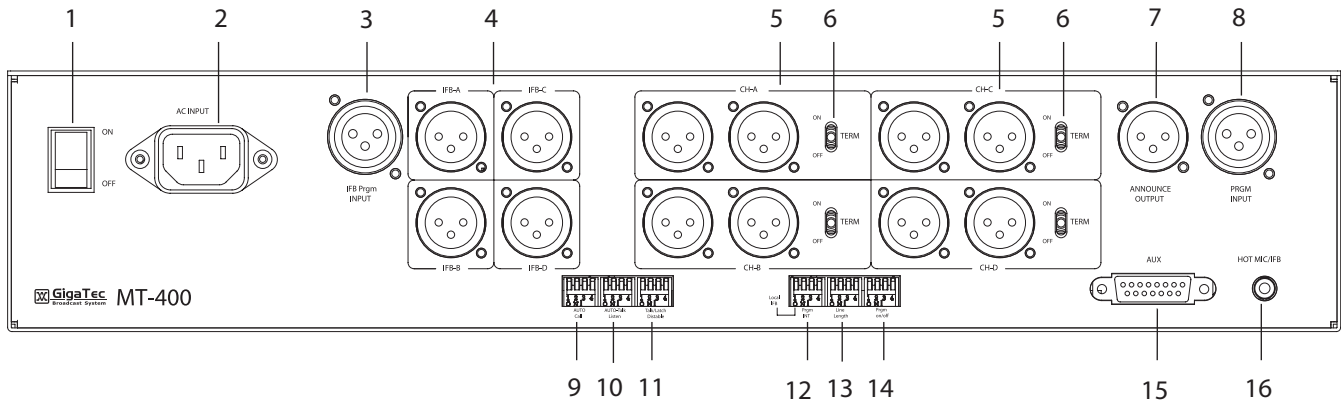
Four-Channel Main Station

FRONT VIEW



- | | | |
|--------------------------------|-------------------------------|--|
| 1. Short-circuit LED indicator | 10. Announce button | 18. Main communication volume control |
| 2. Short-circuit reset | 11. Listen button | 19. Loudspeaker |
| 3. Power LED indicator | 12. Talk button | 20. Main program output volume control |
| 4. Headset I/O | 13. Call button | 21. Sidetone control |
| 5. Panel MIC input | 14. All IFB button | 22. Individual listen volume control |
| 6. MIC/headset selector | 15. Individual IFB button | 23. Individual balance adjustment |
| 7. Panel MIC gain trimmer | 16. IFB output volume control | 24. Individual program output volume control |
| 8. Link button | 17. Speaker on/off switch | 25. IFB input volume control |
| 9. All-talk button | | |

REAR VIEW



- | | | |
|---|---------------------------------|--|
| 1. Power on/off switch | 7. Announce output | 13. Line length switch |
| 2. AC power supply input | 8. Main program input | 14. Program on/off switch |
| 3. IFB program input | 9. Auto-call switch | 15. Auxiliary interface |
| 4. 4 individual IFB outputs | 10. Auto-talk/listen switch | 16. HOT MIC output/External IFB device interface |
| 5. 4 groups of individual channel interface | 11. Talk/latch disable switch | |
| 6. Terminal on/off switch | 12. Program interruption switch | |

SPECIFICATIONS

Specifications are subject to change without notice.

INTERCOM CHANNEL

Impedance.....200 Ω
S/N Ratio.....>70 dB
Frequency Response..... ± 2 dB, 150 Hz ~ 18 kHz

HEADSET INPUT

Connector.....3.5 mm Phone Jack
Gain.....+49 dB
Impedance.....1 k Ω
Frequency Response..... ± 2 dB, 150 Hz ~ 18 kHz

MIC INPUT

Connector.....XLR (x1)
Gain.....+49 dB
Impedance.....1 k Ω
Frequency Response..... ± 2 dB, 150 Hz ~ 18 kHz

MAIN PROGRAM SOURCE INPUT

Connector.....XLR (x1)
Input Level Range.....-10 ~ 0 dBu
Impedance.....>10 k Ω
Frequency Response..... ± 2 dB, 150 Hz ~ 18 kHz

LINE OUTPUT (ANNOUNCE)

Connector.....XLR (x1)
Output Standard Level.....0 dBu

Impedance.....600 Ω
Frequency Response..... ± 2 dB, 150 Hz ~ 18 kHz

LINE OUTPUT (IFB)

Connector.....XLR (x4)
Impedance.....100 Ω
Frequency Response..... ± 2 dB, 150 Hz ~ 18 kHz

SPEAKER OUTPUT

Impedance.....8 Ω
Frequency Response..... ± 2 dB, 150 Hz ~ 18 kHz
Power.....5 W

MECHANICAL

Width.....19 in. (483 mm)
Height.....2RU (88 mm)
Depth.....5.7 in. (145 mm)

ELECTRICAL

Power Supply.....80 ~ 260 V AC
Power Consumption.....50 W

ENVIRONMENTAL

Operating Temperature.....32° ~ 104° F (0° ~ 40° C)
Relative Humidity.....10% ~ 90%